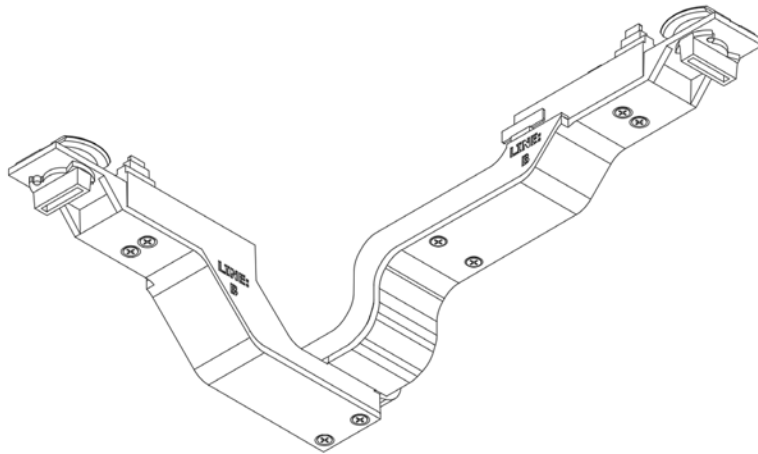


SLIMLINE JUMPER (20A)			
Product	Amperage	Voltage	Catalog Number
JUMPER	20	120	MD2020-UNIV-IJ-W-X

Finish (F): B=Black

The Slim Line Jumpers are for use with busSTRUT/20 . The Jumper connects power to intersecting lengths of busSTRUT.



Jumpers provide a three pole electrical connection for building X,T,L configurations. One Jumper powers intersecting lengths of busSTRUT.