

busSTRUT

SINGLE-DECK



busSTRUT : GALVANIZED

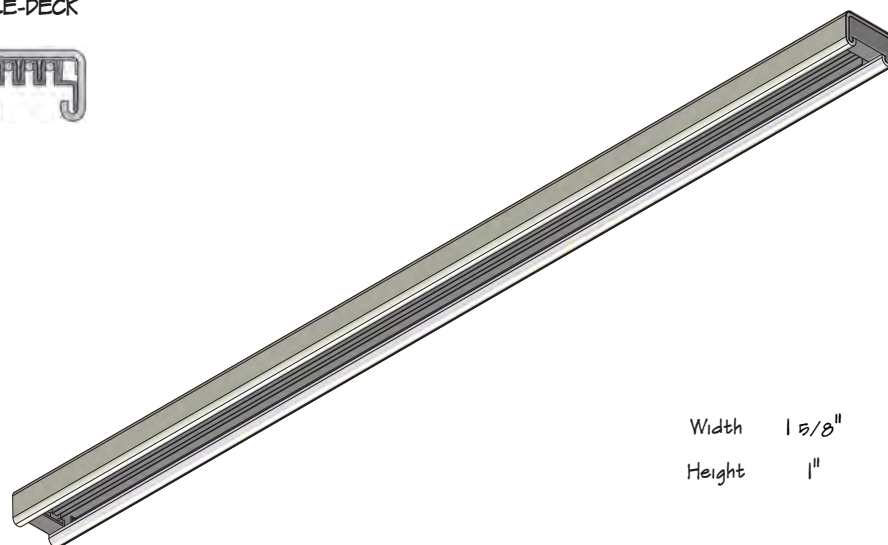
DOUBLE-DECK



LENGTH

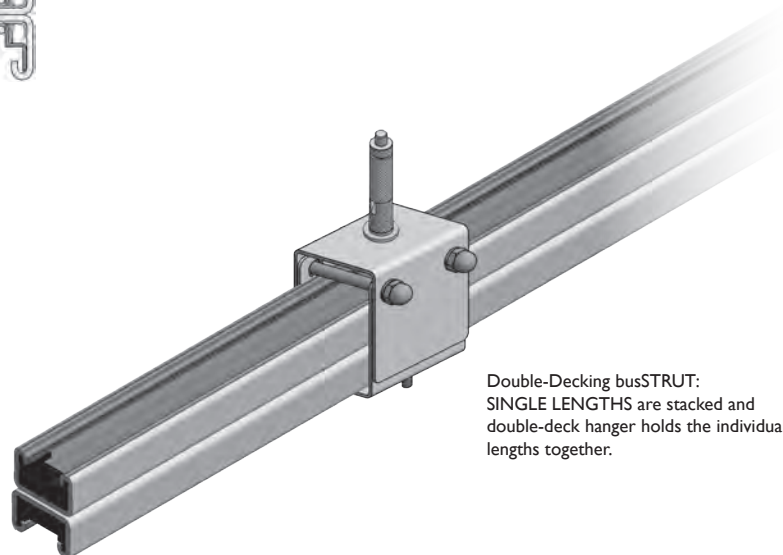
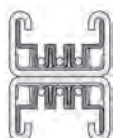
busSTRUT : GALVANIZED

SINGLE-DECK



Width 1 5/8"
Height 1"

DOUBLE-DECK



Double-Decking busSTRUT:
SINGLE LENGTHS are stacked and
double-deck hanger holds the individual
lengths together.

busSTRUT				
SINGLE / DOUBLE-DECK (two single lengths of busSTRUT)				
		(L)		(F)
20 AMP	up to 277V MAX.	M20-3-40-277-(L)-(F)-B	2.5' 05' 10' XX' (CUSTOM LENGTH)	G SC W B
40 AMP	up to 277V MAX.	M40-3-80-277-(L)-(F)-B	2.5' 05' 10' XX' (CUSTOM LENGTH)	G SC W B
EMPTY	NON-POWERED	M00-(L)-(F)-B	2.5' 05' 10' XX' (CUSTOM LENGTH)	G SC W B

Finish - G=Galvanized SC=Sleeved Copper W=White B=Black

busSTRUT is PREWIRED, 1-5/8" x 1", 12 Ga. steel, 3 Pole busway. Runs, rows, and grids are all "Plug & Play." Specify busSTRUT/20 (two 20A circuits) and/or busSTRUT/40 (two 40A circuits) in galvanized, sleeved copper, white, or black in 2.5', 5', 10', and custom lengths. busSTRUT/20 is mainly for use with light fixtures. busSTRUT/40 is for power distribution. busSTRUT lengths work together effortlessly. There are no visual differences so the look is integrated, sleek, and uncluttered. The endblocks are built into each length- no end caps are required.